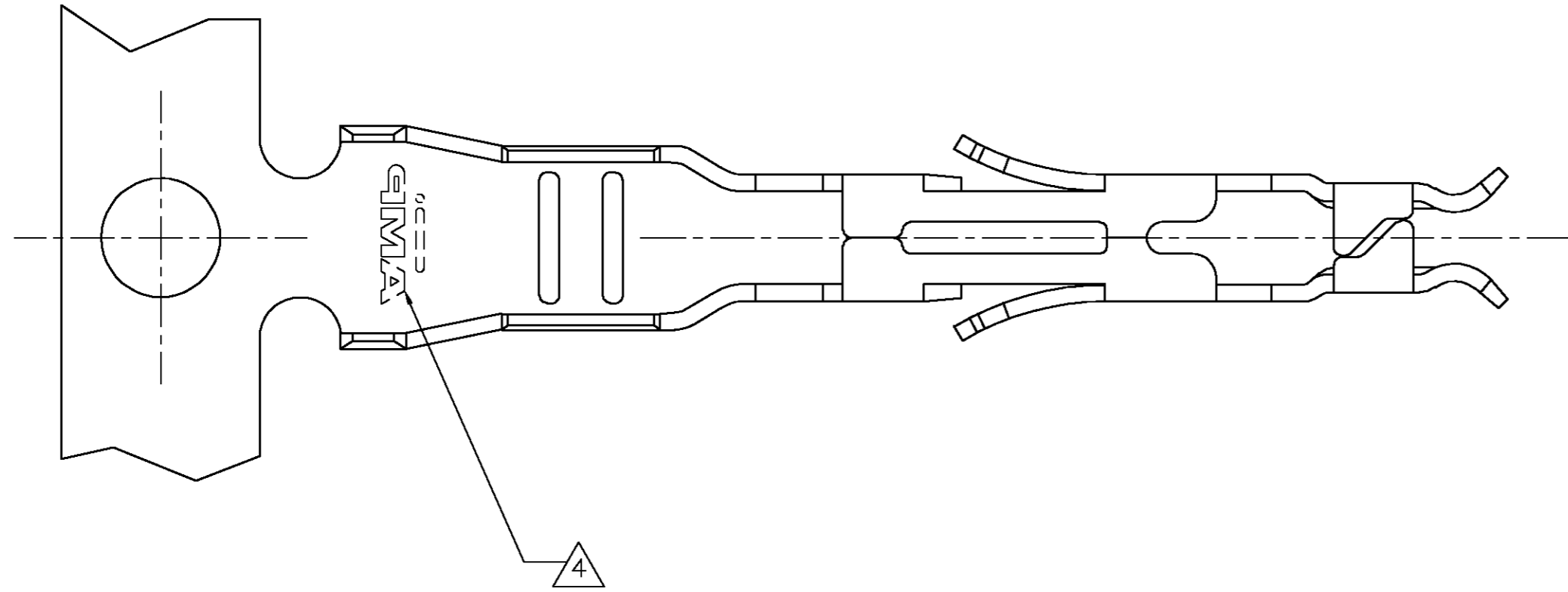
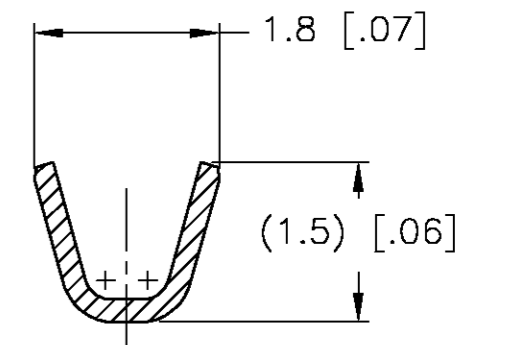
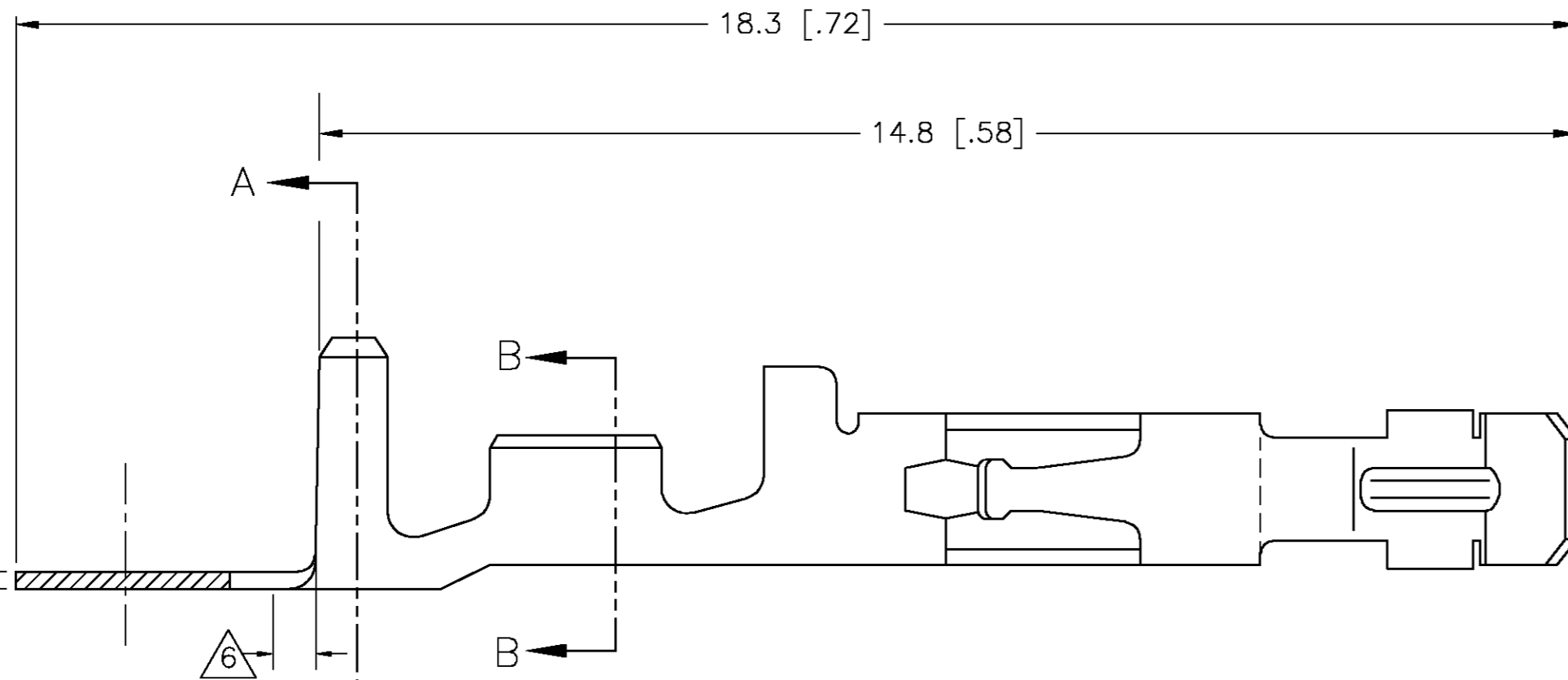


THIS DRAWING IS UNPUBLISHED. RELEASED FOR PUBLICATION
 © COPYRIGHT BY TYCO ELECTRONICS CORPORATION. ALL RIGHTS RESERVED.

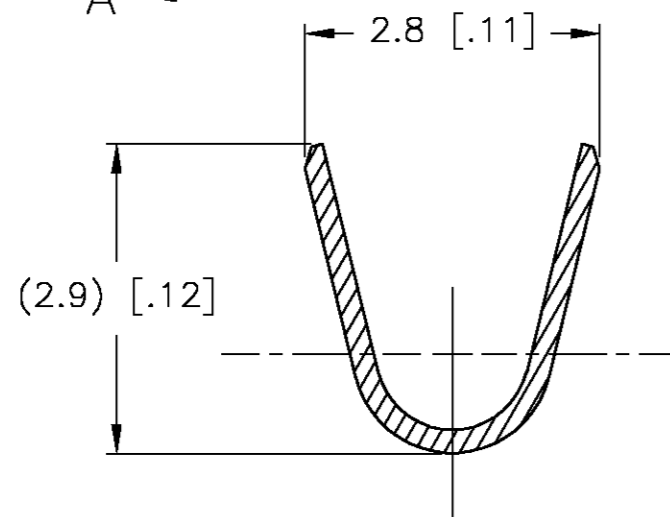
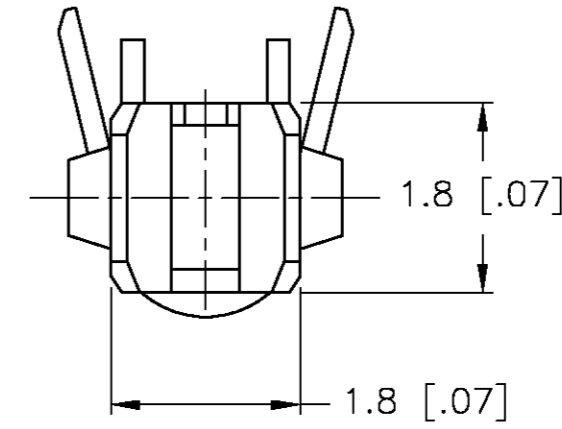
LOC		DIST		REVISIONS			
P	LTR	DESCRIPTION		DATE	DWN	APVD	
CM	00	G	REVISED PER	0G3B-0888-03	29-JAN-04	SH DC	



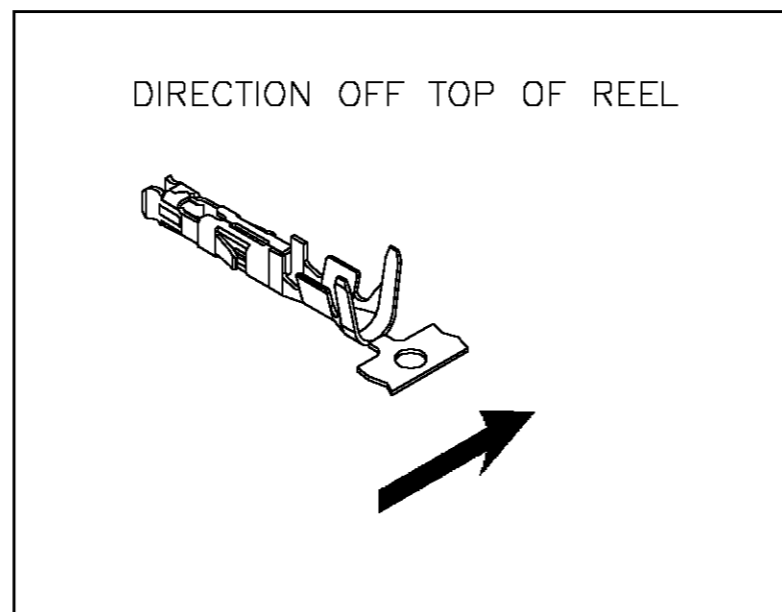
1. HAND TOOL PART NUMBER 734202-3
2. EXTRACTION TOOL PART NUMBER 188688-1
3. LOOSE PIECE CONTACT
4. AMP TRADEMARK
5. MATERIAL PHOSPHOR BRONZE PRETINNED 1-3μm
6. CUT OFF DIMENSION FOR LOOSE PIECE CONTACT 0.5 [.02] MAXIMUM.
7. WIRE RANGE: 0.12-0.35mm² [.005-.014in²], (22-26 AWG).
8. INSULATION RANGE: 1.20-1.75 [.050-.070] DIAMETER.



SECTION B-B
SCALE 14:1



SECTION A-A
SCALE 14:1



METRIC

3	PRETINNED	PHOSPHOR BRONZE	1-106528-2
	PRETINNED	PHOSPHOR BRONZE	106528-2
	FINISH	MATERIAL	PART NUMBER

THIS DRAWING IS A CONTROLLED DOCUMENT.		DWN S. HOOVER 29-JAN-2004	Tyco Electronics Corporation	
DIMENSIONS: mm [INCHES]		CHK D. COLEY 29-JAN-2004	Harrisburg, Pa 17105-3608	
TOLERANCES UNLESS OTHERWISE SPECIFIED:		APVD D. COLEY 29-JAN-2004	NAME	
0 PLC ±	1 PLC ±	PRODUCT SPEC		
2 PLC ±	3 PLC ± 0.10 [.004]	APPLICATION SPEC		
4 PLC ±	ANGLES ±	SIZE CAGE CODE DRAWING NO RESTRICTED TO		
MATERIAL SEE CHART	FINISH SEE CHART	WEIGHT	A2 00779 C=106528	—
CUSTOMER DRAWING		SCALE 14:1	SHEET 1 OF 1	REV G